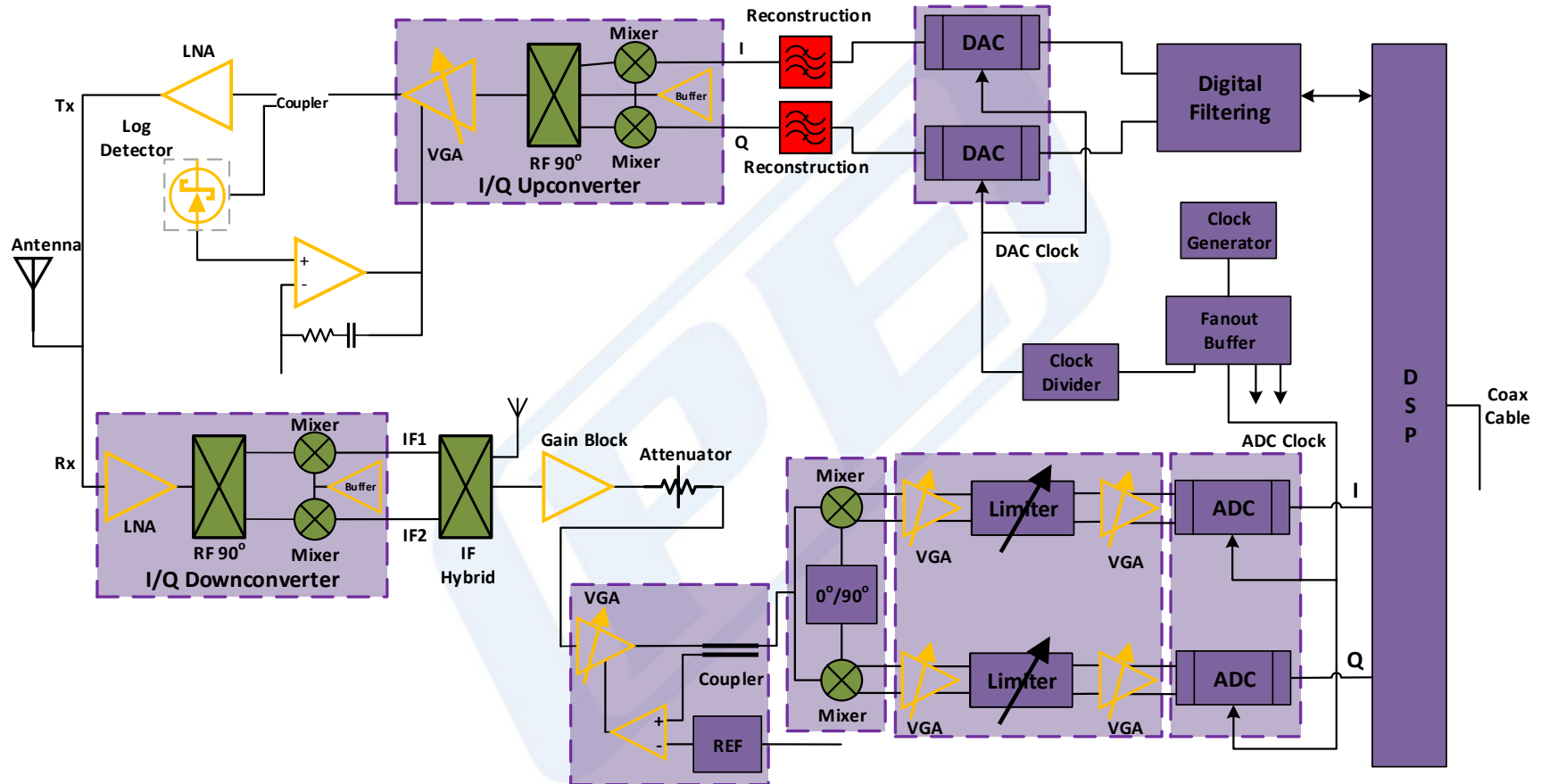


MICROWAVE RADIO CLOCKS & TIMING SCHEME BLOCK DIAGRAM



The information contained in this document is accurate to the best of our knowledge and representative of the part described herein. It may be necessary to make modifications to the part and/or the documentation of the part, in order to implement improvements. Pasternack reserves the right to make such changes as required. Unless otherwise stated, all specifications are nominal. Pasternack does not make any representation or warranty regarding the suitability of the part described herein for any particular purpose, and Pasternack does not assume any liability arising out of the use of any part or documentation.

Pasternack Enterprises, Inc. • P.O. Box 16759, Irvine, CA 92623
 Phone: (866) 727-8376 or (949) 261-1920 • Fax: (949) 261-7451
 Sales@Pasternack.com • Techsupport@Pasternack.com

ISO 9001 : 2008 Registered

